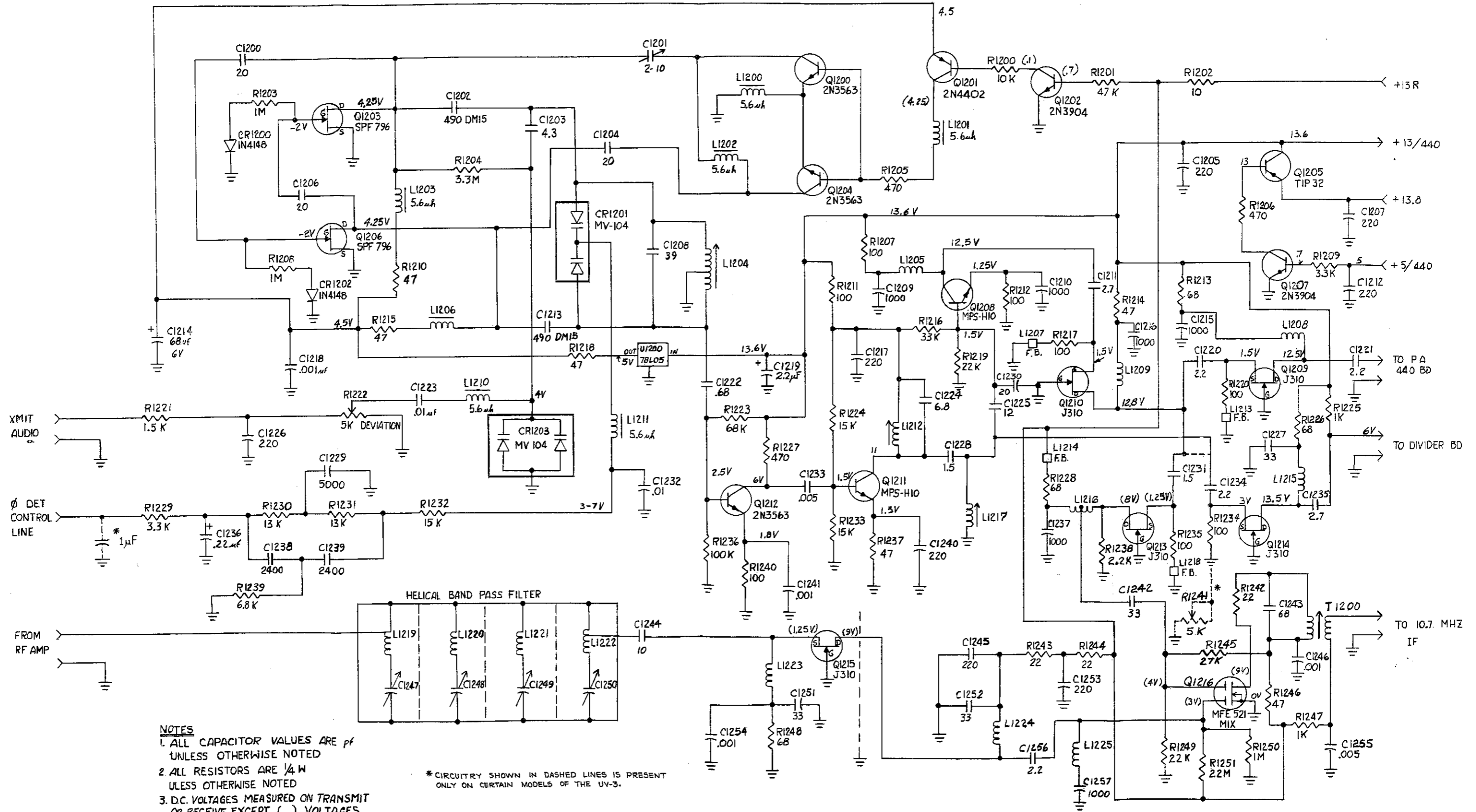


- 1. ALL CAPACITORS  
 >1 ARE IN pf  
 ≤1 ARE IN uf  
 UNLESS OTHERWISE SPECIFIED.
- 2. ALL CAPACITORS ARE DISC  
 CERAMIC UNLESS OTHERWISE SPECIFIED
- 3. ALL RESISTORS ARE 1/4 W 10%  
 UNLESS OTHERWISE SPECIFIED

4. T = TRANSMIT VOLTAGE  
 R = RECEIVE VOLTAGE

FIGURE 2-3. 220 MHz RECEIVER/VCO SCHEMATIC



- NOTES**
1. ALL CAPACITOR VALUES ARE pf UNLESS OTHERWISE NOTED
  2. ALL RESISTORS ARE 1/4 W UNLESS OTHERWISE NOTED
  3. D.C. VOLTAGES MEASURED ON TRANSMIT OR RECEIVE, EXCEPT ( ) VOLTAGES MEASURED ON RECEIVE ONLY

\* CIRCUITRY SHOWN IN DASHED LINES IS PRESENT ONLY ON CERTAIN MODELS OF THE UV-3.

FIGURE 2-5. 440 MHz RECEIVER/VCO SCHEMATIC

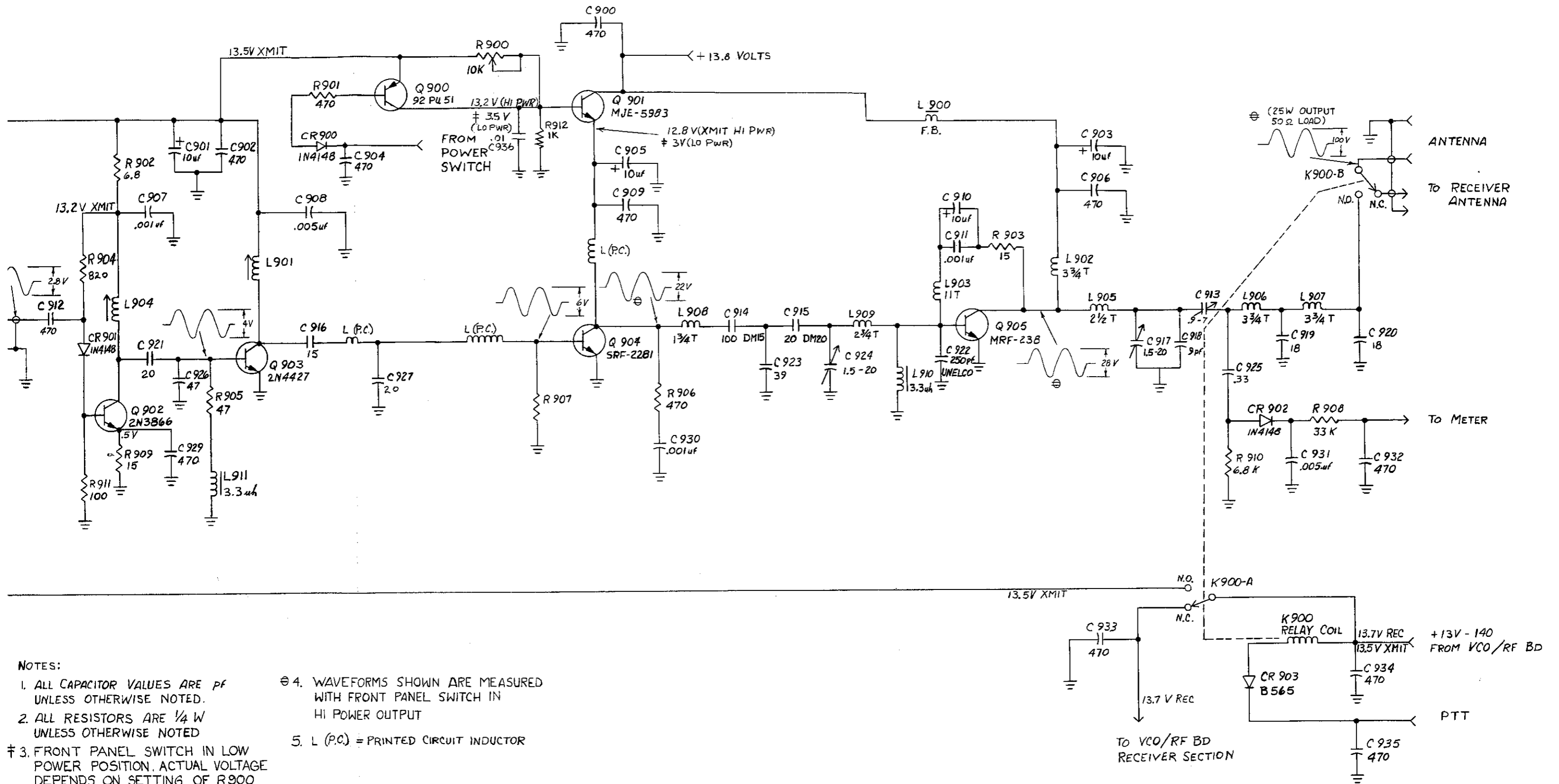
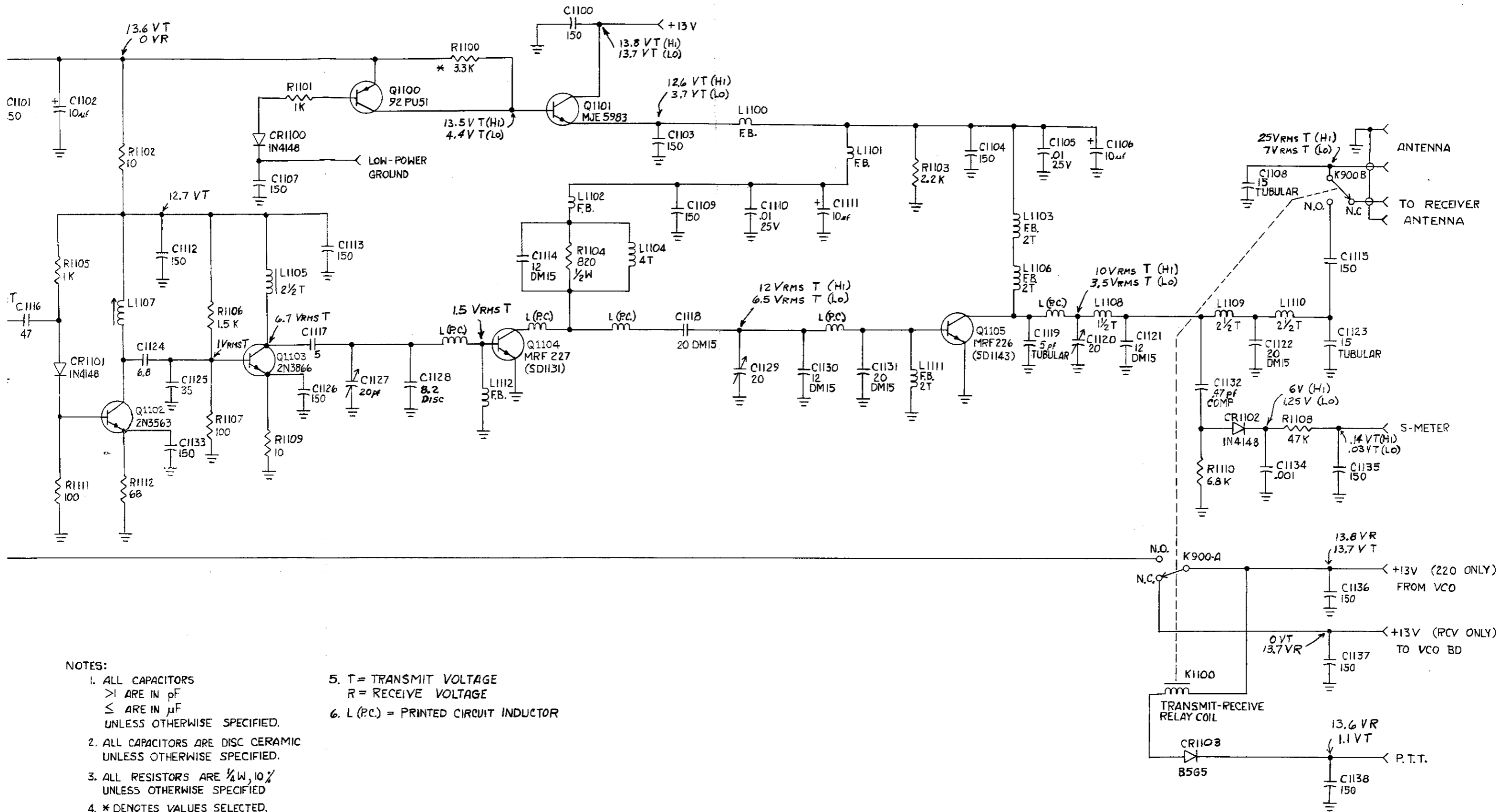


FIGURE 3-1. 140 MHz POWER AMPLIFIER SCHEMATIC



- NOTES:
1. ALL CAPACITORS  
 >1 ARE IN pF  
 ≤ ARE IN μF  
 UNLESS OTHERWISE SPECIFIED.
  2. ALL CAPACITORS ARE DISC CERAMIC  
 UNLESS OTHERWISE SPECIFIED.
  3. ALL RESISTORS ARE 1/4W, 10%  
 UNLESS OTHERWISE SPECIFIED
  4. \* DENOTES VALUES SELECTED.  
 IN PRODUCTION
  5. T = TRANSMIT VOLTAGE  
 R = RECEIVE VOLTAGE
  6. L (P.C.) = PRINTED CIRCUIT INDUCTOR

FIGURE 3-3. 220 MHz POWER AMPLIFIER SCHEMATIC

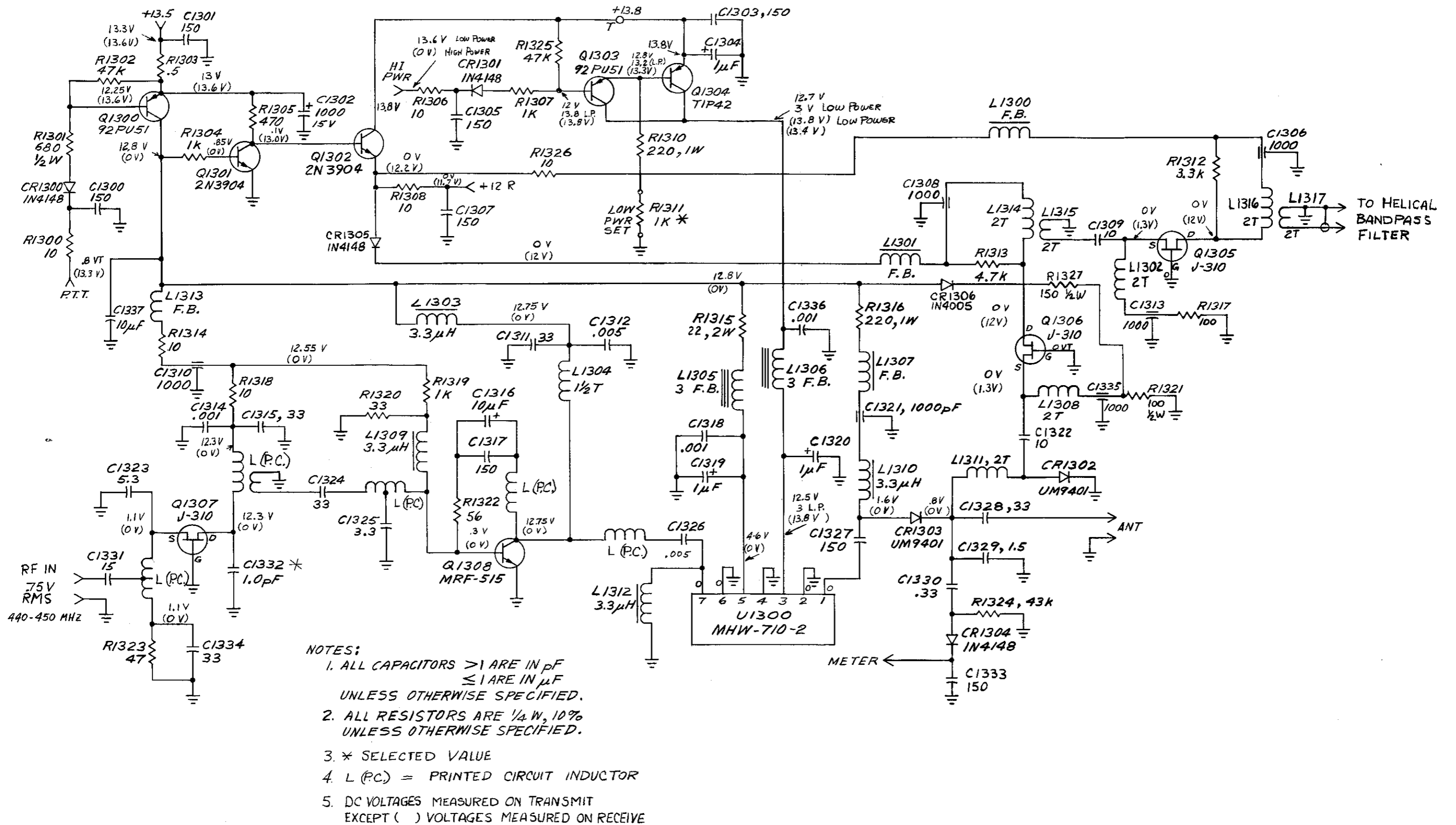
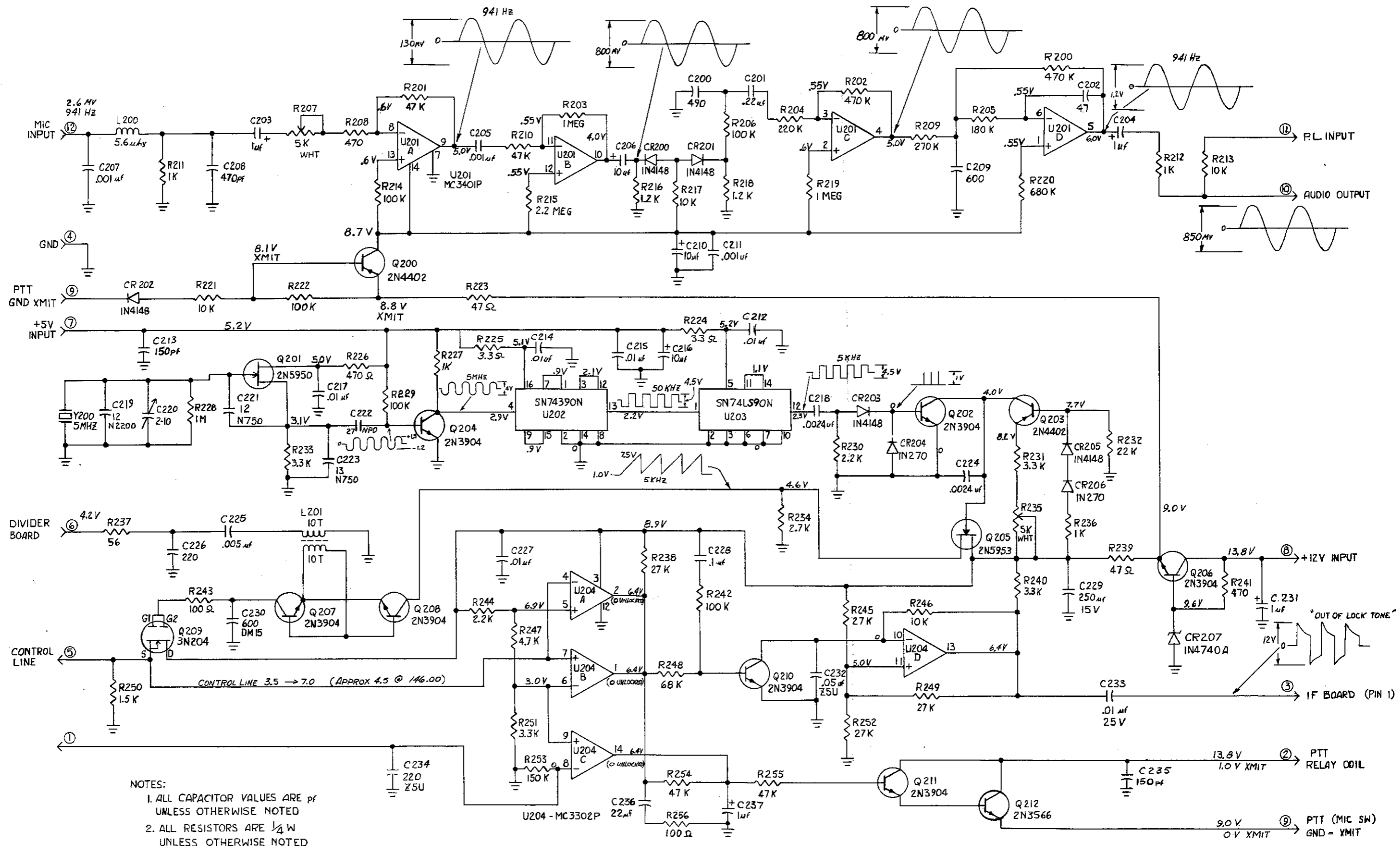


FIGURE 3-5. 440 MHz POWER AMPLIFIER SCHEMATIC



- NOTES:
1. ALL CAPACITOR VALUES ARE pf UNLESS OTHERWISE NOTED
  2. ALL RESISTORS ARE 1/4 W UNLESS OTHERWISE NOTED

FIGURE 4-1. PHASE DETECTOR/REF OSC/AUDIO PROC SCHEMATIC

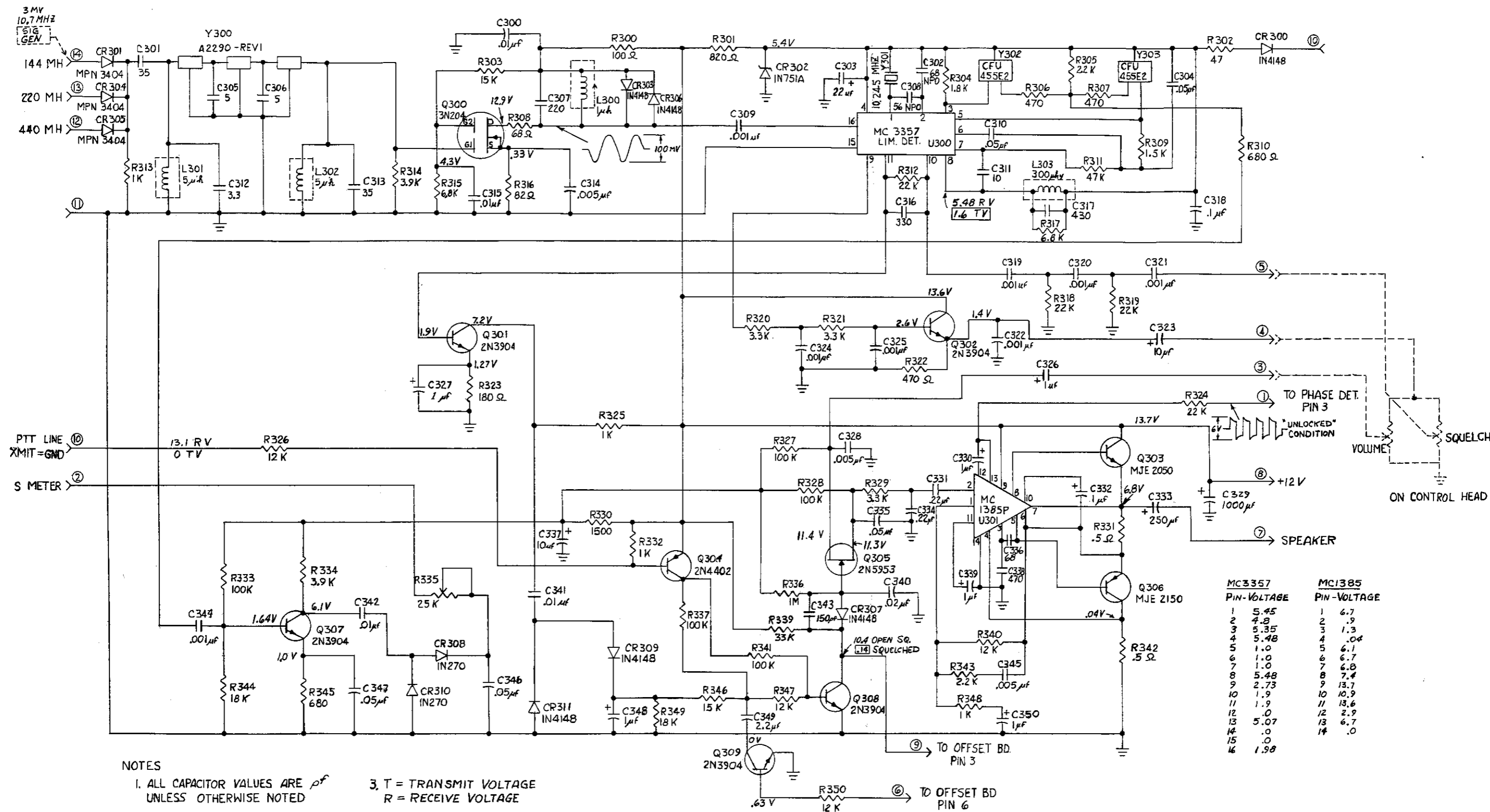


FIGURE 5-1. IF/AUDIO/SQUELCH SCHEMATIC



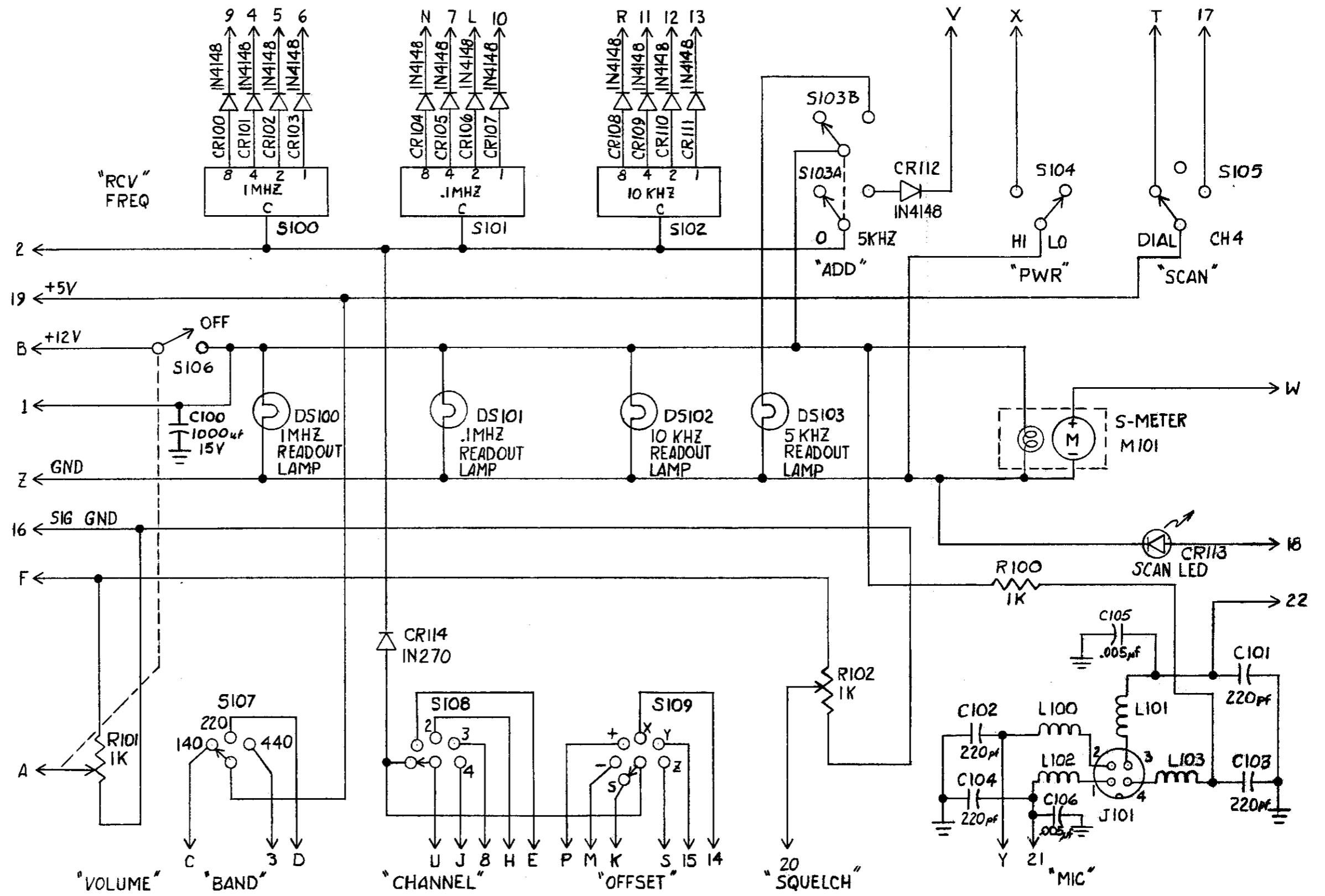


FIGURE 6-1. CONTROL HEAD SCHEMATIC

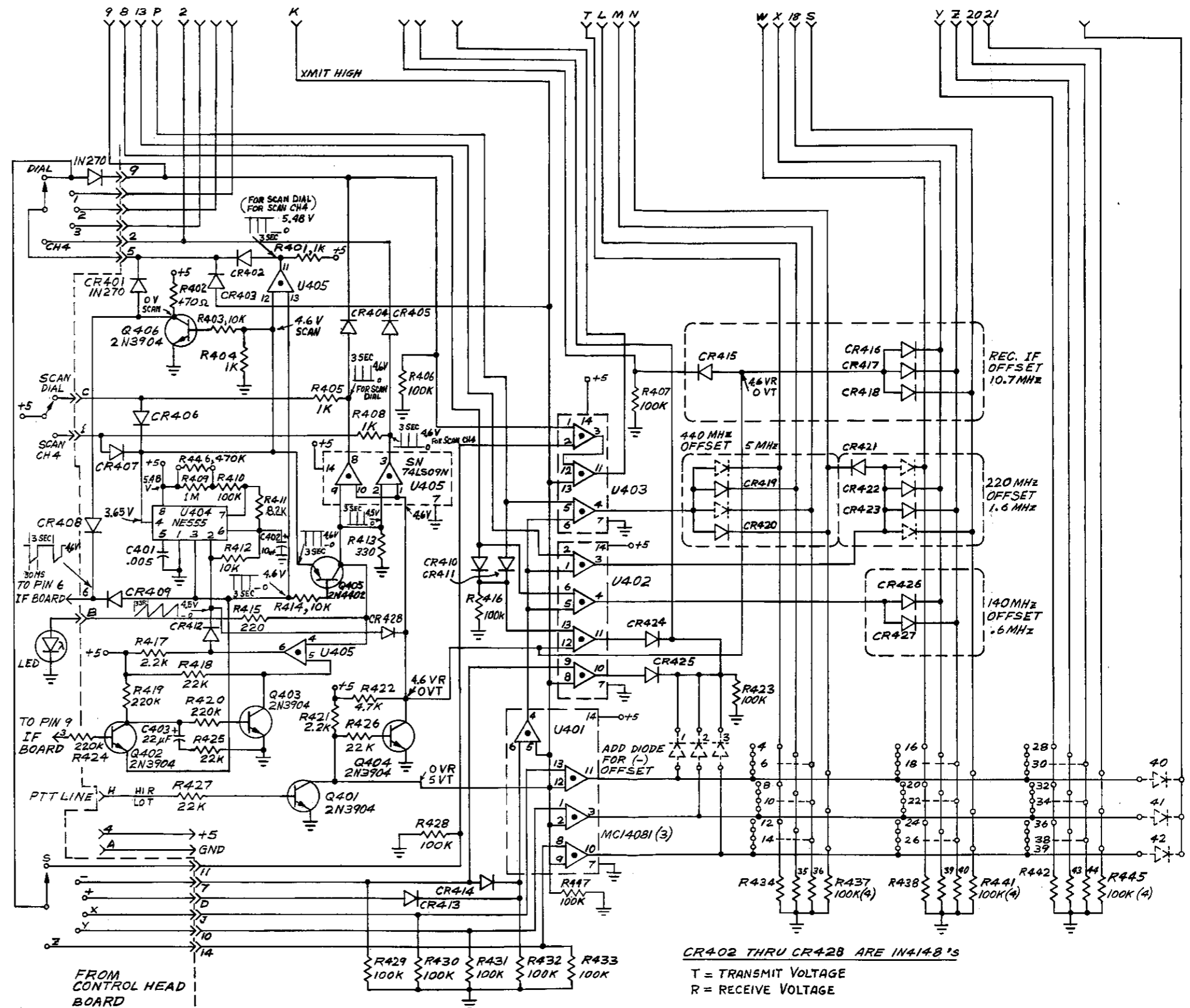


FIGURE 7-1. OFFSET SCHEMATIC

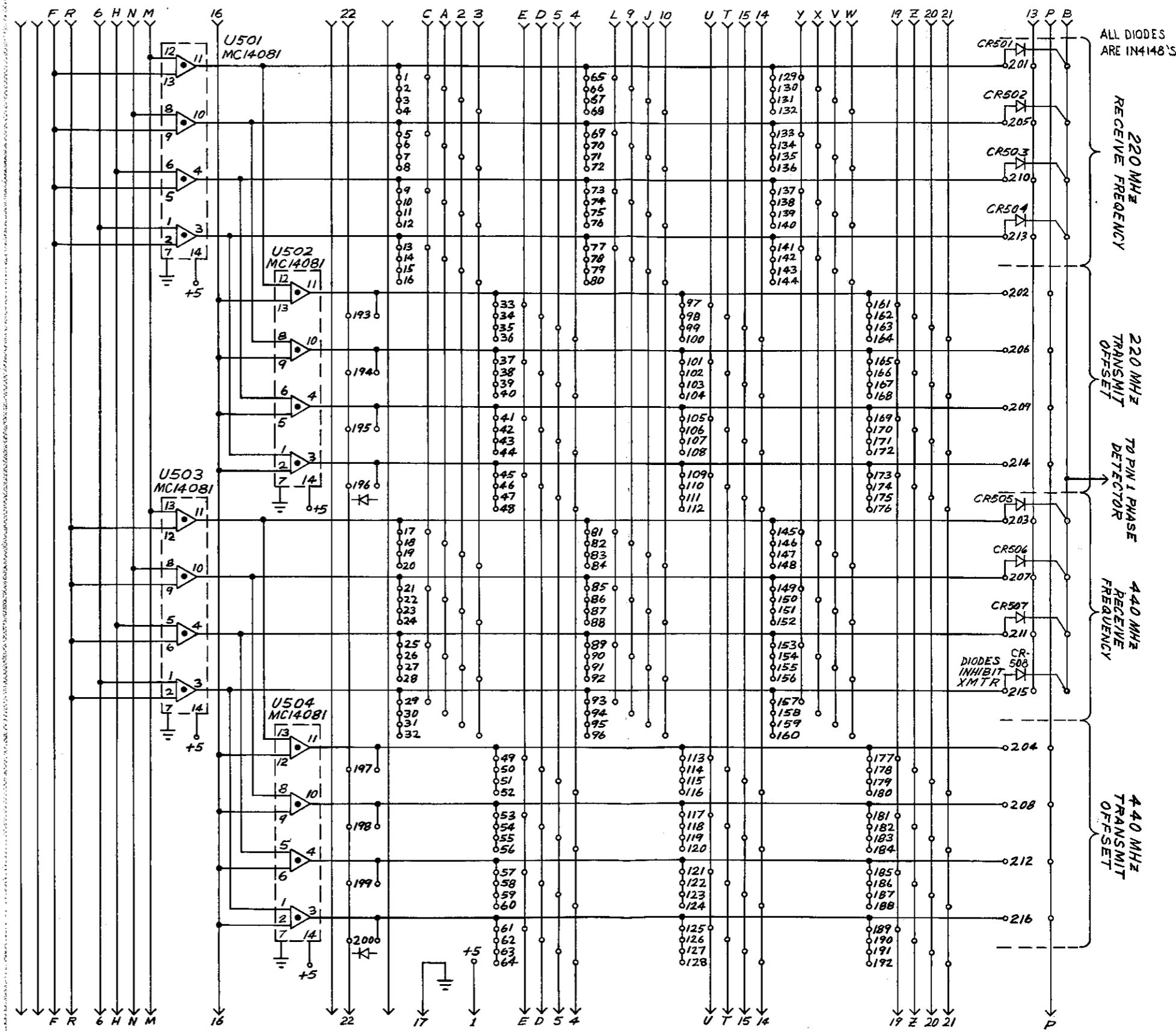


FIGURE 8-1. 220/440 MHz PROGRAM SCHEMATIC

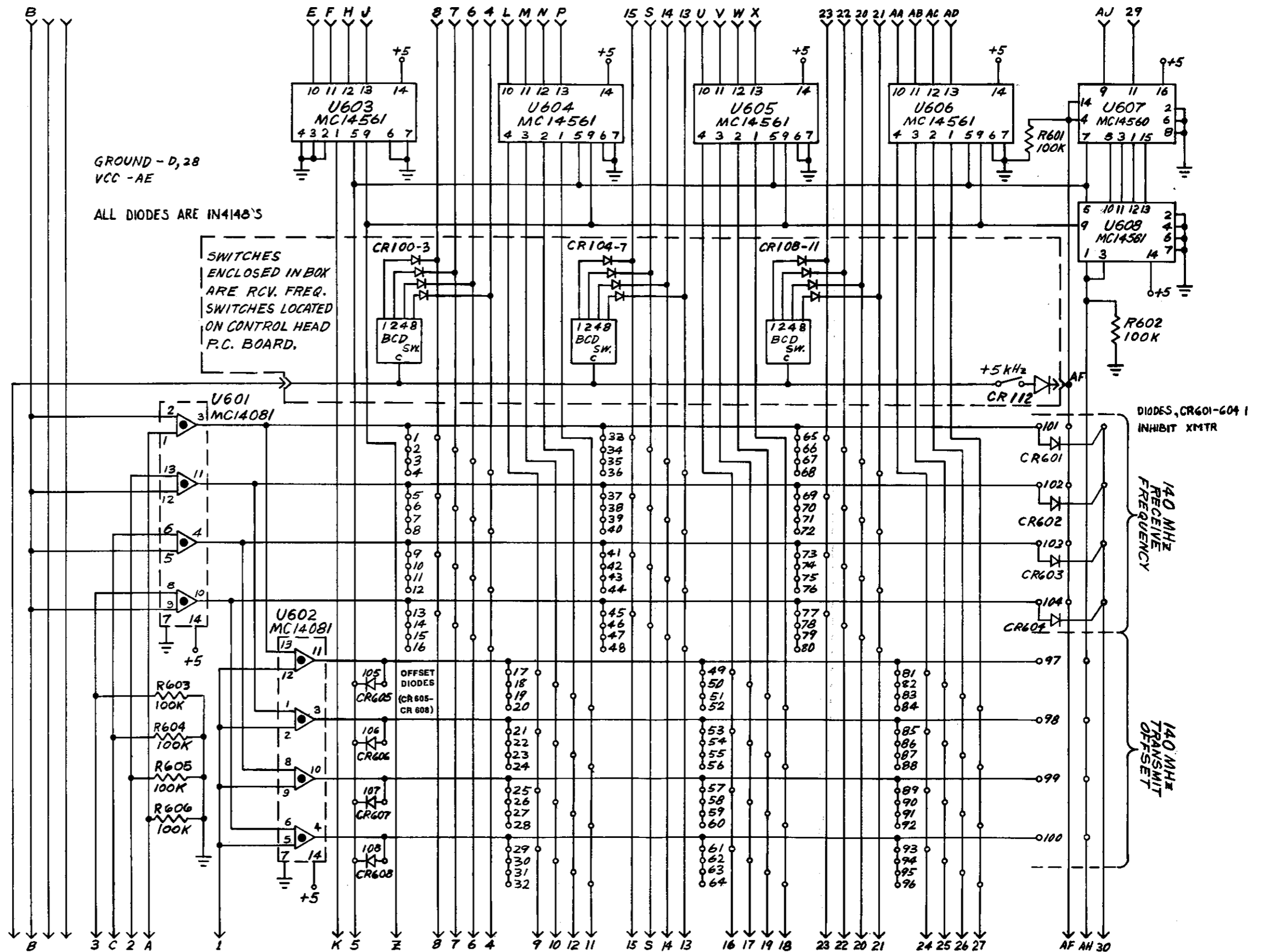


FIGURE 9-1. 140 MHz PROGRAM SCHEMATIC

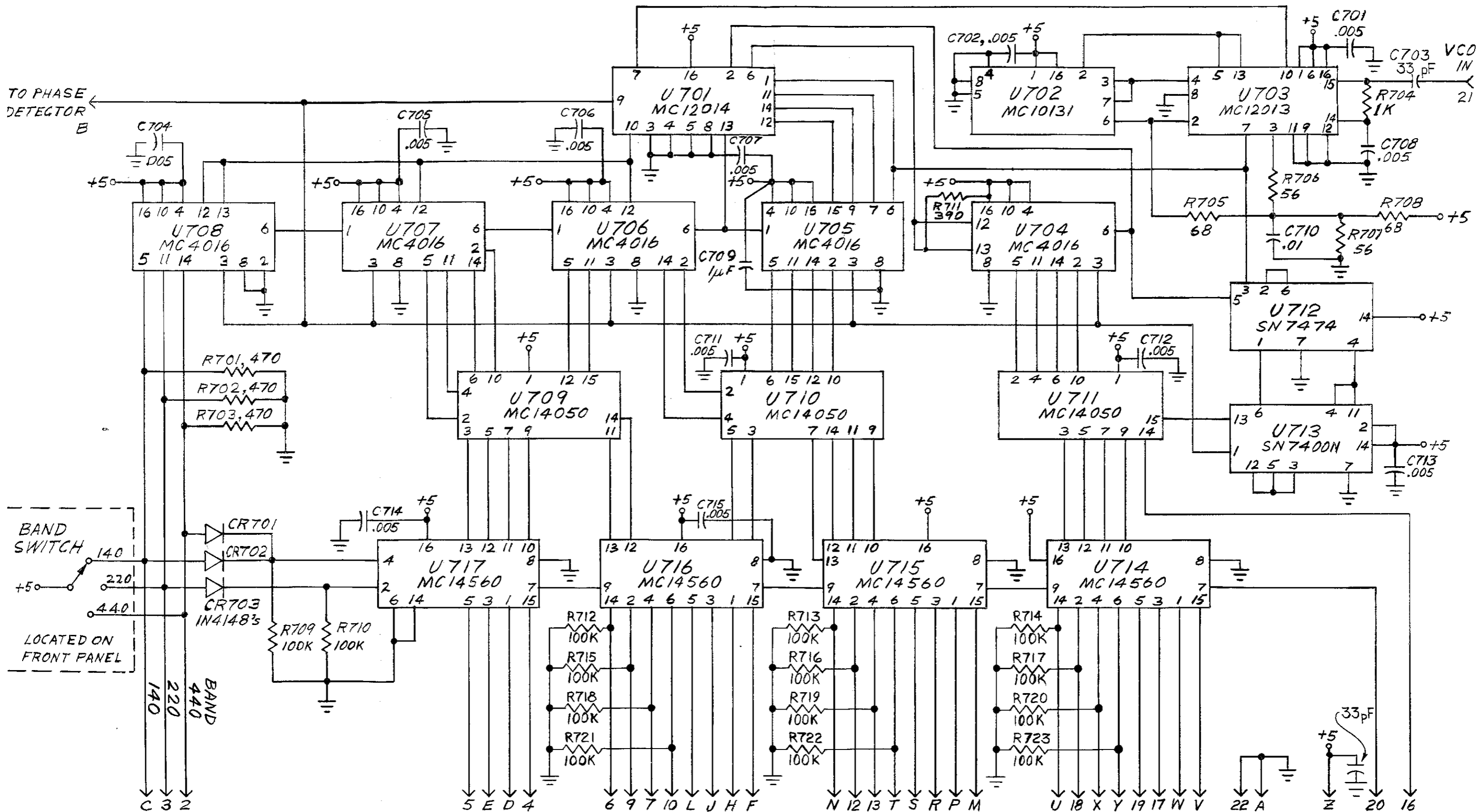


FIGURE 10-1. DIVIDER SCHEMATIC

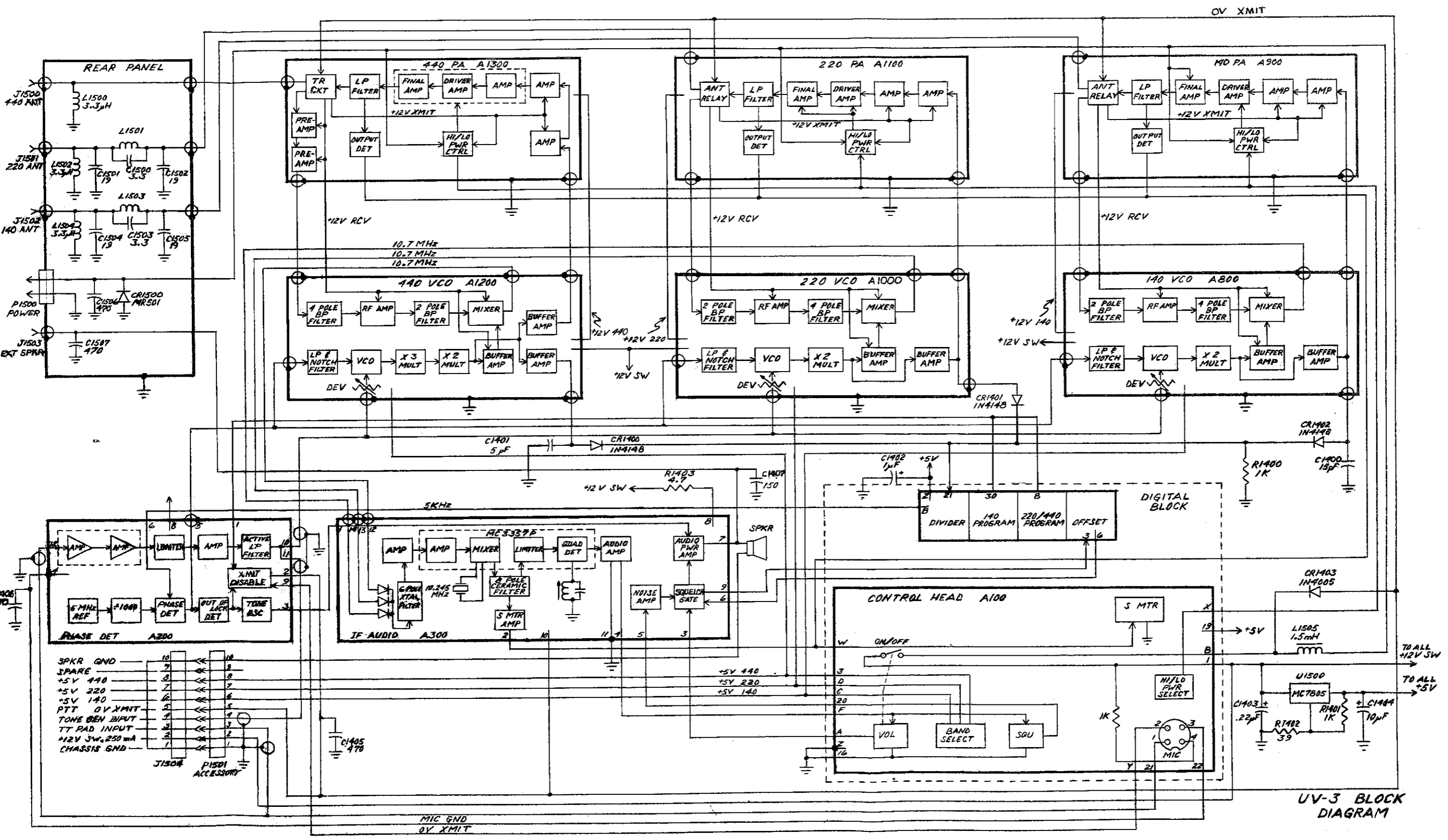


FIGURE 13-1. BLOCK DIAGRAM

# UV-3 DIGITAL BLOCK

