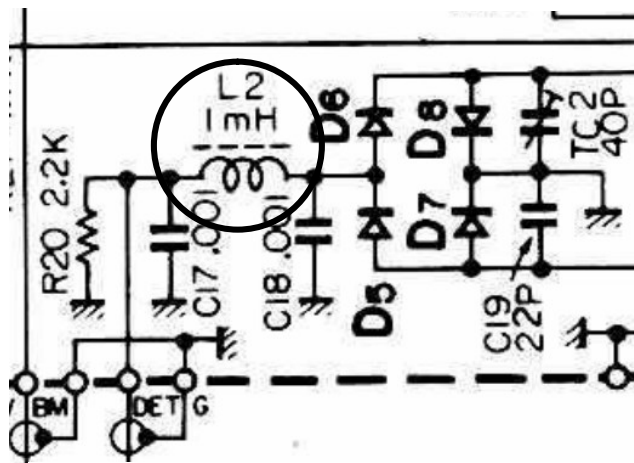


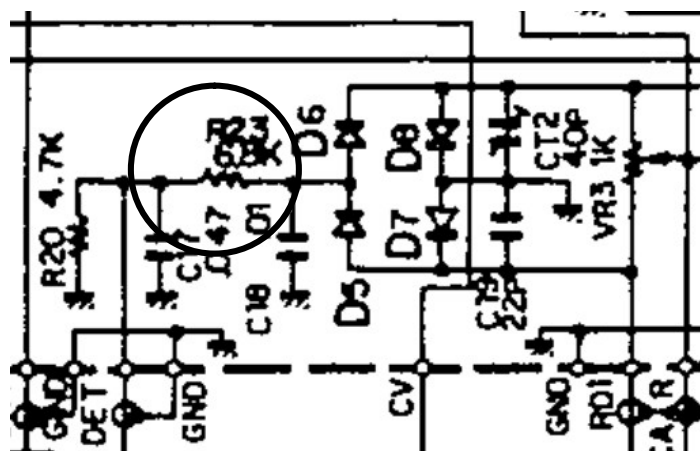
## TS-511 IMPROVE AUDIO CHARACTERISTICS

( Provided by Masa, AB9MQ )

To improve TS-511's audio characteristic (for more mellow soft sound)



TS-511



TS-520

**TS-511's** pie network audio filter after balanced modulator for receiver (it is on Generator Unit (X52-0010-00))

**TS-520's** pie network audio filter after balanced modulator for receiver (Generator Unit X52-0010-01)

See the difference? TS-520 uses 68K resistor instead of 1mH chock coil. TS-520's C 17 is 0.047uF and C18 is 0.01uF where as TS-511's C17 and C18 are both 0.001uF. TS-511's pie network filter passes a lot of audio high frequency where as TS-520's audio pie network is more balanced and provide lows. I took TS-520's value and replaced TS-511's pie network value. This made a quite a bit difference on my TS-511XN.

